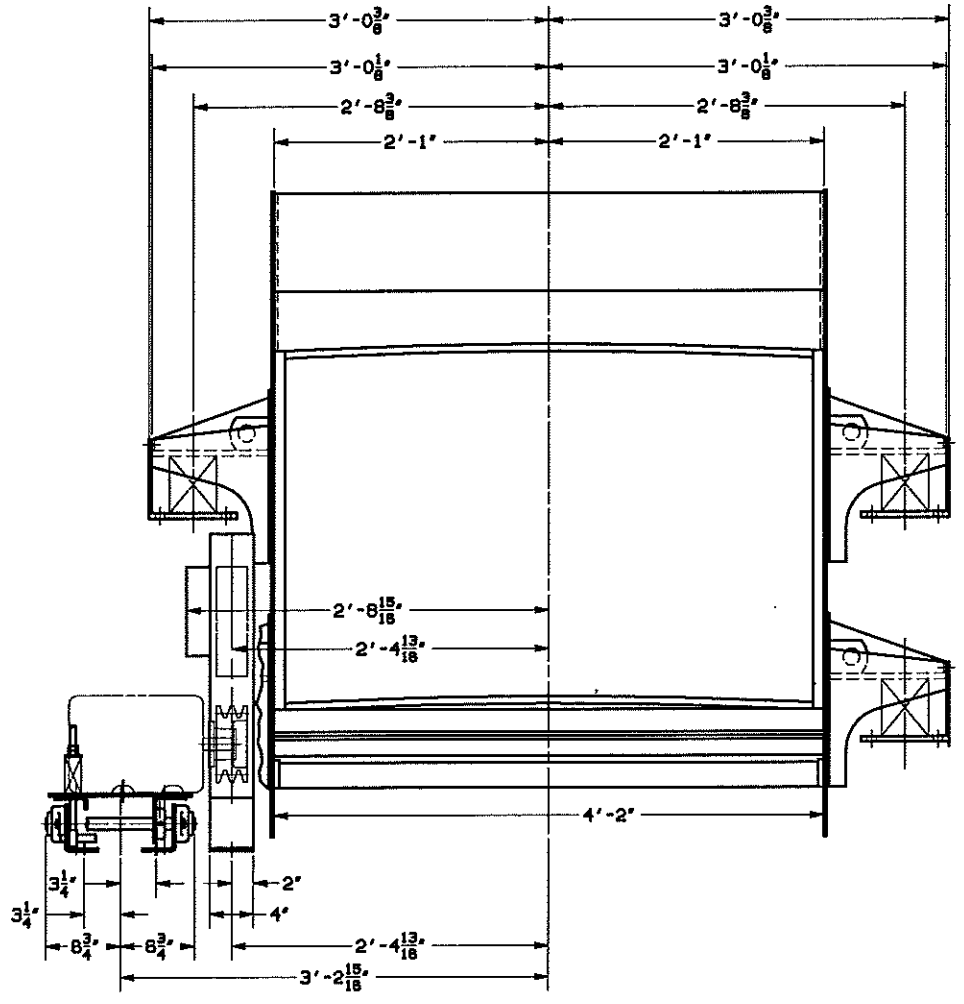
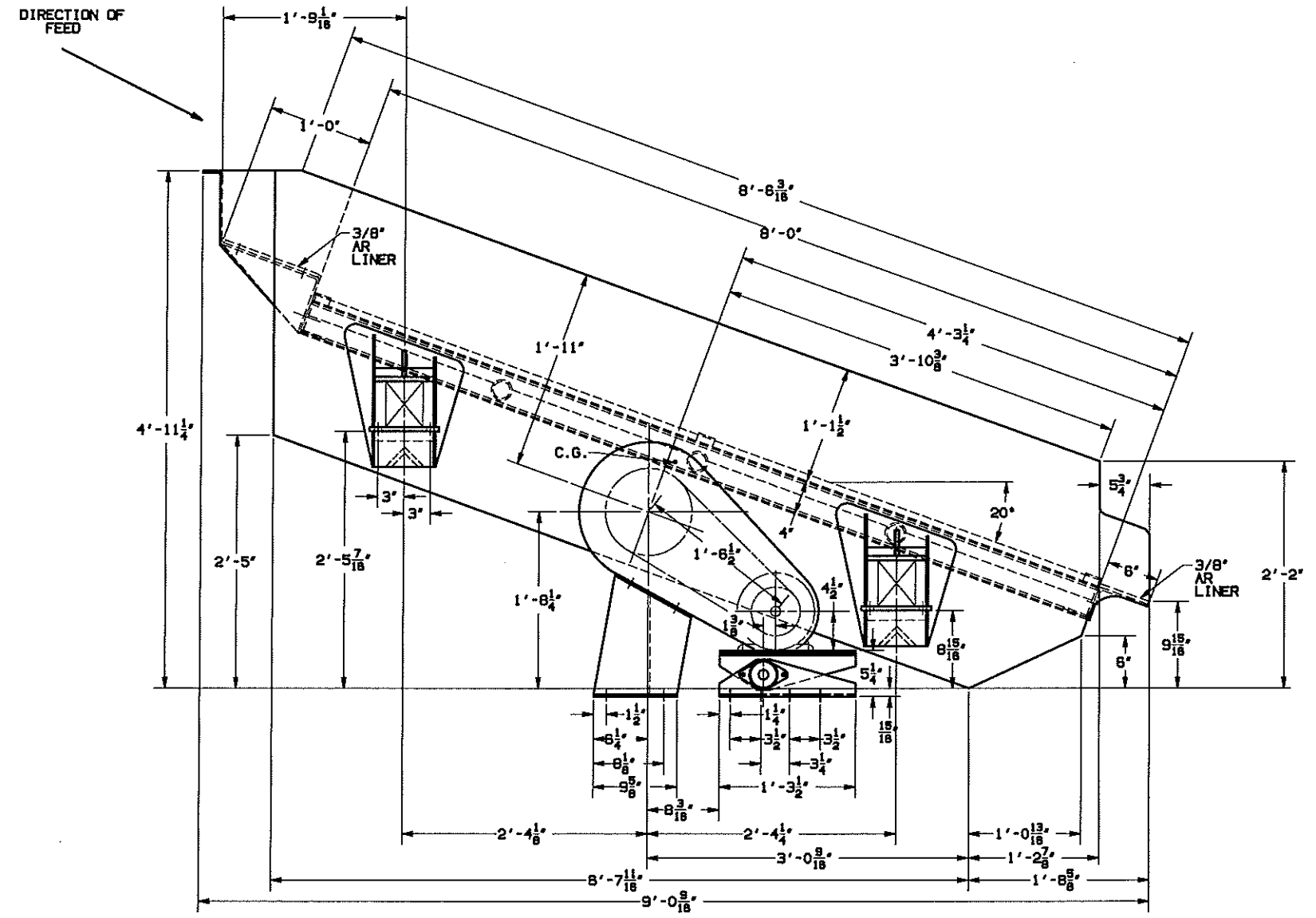


GROUP		QTY	PART NO.	ITEM	DESCRIPTION	WEIGHT

- NOTES -
- 1) ALLOW 2' HORIZONTAL CLEARANCE AND 3' VERTICAL CLEARANCE AROUND VIBRATING BODY OF MACHINE.
  - 2) RIGHT HAND DRIVE SHOWN, SAME DIMENSIONS FOR LEFT HAND ONLY OPPOSITE SIDE OF MACHINE.
  - 3) MAXIMUM LUMP SIZE = 4' FOR 100 POUNDS PER CUBIC FOOT.
  - 4) THE CUSTOMER IS RESPONSIBLE FOR THE INTEGRITY AND THE LOADINGS OF THEIR STRUCTURE.
  - 5) THE MOTOR SHOULD NEVER BE MOVED ON TOP OF THE PIVOT MOTOR BASE. THE ENTIRE BASE NEEDS TO SLIDE TO TIGHTEN THE V-BELTS.
  - 6) THE CUSTOMER IS RESPONSIBLE FOR INSTALLING ALL GUARDS ON THIS MACHINE BEFORE START-UP.



DRIVE DATA -

- MOTOR SIZE - 3 HP, 1800 RPM, 182-T FRAME, NEMA B
- MOTOR SHEAVE - 5.6" PD, 2 GROOVE, B SECTION
- MACHINE SHEAVE - 10" PD, 2 GROOVE, B SECTION
- V-BELT SIZE - (2) B-60
- MACHINE SPEED - 1008 RPM

FOUNDATION LOADINGS -

- TOTAL STATIC WEIGHT - 2,600#
- WEIGHT OF MOVING PARTS - 2,300#
- MAXIMUM VERTICAL DYNAMIC LOAD (AT STOPPING) - 5,200#
- MAXIMUM HORIZONTAL DYNAMIC LOAD (AT STOPPING) - 2,600#
- RUNNING VERTICAL DYNAMIC LOAD - 1,150#
- RUNNING HORIZONTAL DYNAMIC LOAD - 575#

TOLERANCE UNLESS OTHERWISE SPECIFIED	
ANGLE	±1°
FINISH	250/
DECIMALS	FRACTIONS
.X ±.1	BURN ±1/16"
.XX ±.01	SHEAR ±1/16"
.XXX ±.005	SAW ±1/16"
.XXXX ±.0005	WELD ±1/16"
	MACH. ±1/64"

**SIMPLICITY**

INSTALLATION DIMENSIONS FOR A SINGLE DECK 4' X 8' M70	
DATE 02-02-10	SCALE 1 1/2" = 1' - 0"
DRN BY L. GROSSI	DRAWING NO. D15322
APP. BY	SHEET 1 OF 1

REV	DATE	DESCRIPTION	BY

THIS DRAWING IS UNLESS OTHERWISE SPECIFIED AND SHALL NOT BE USED EXCEPT IN CONNECTION WITH OUR WORK. ALL RIGHTS OF DESIGN OR INVENTION ARE RESERVED.

REVISED D14884, D15240

SERIAL NO. 148-M70-6808, 6809